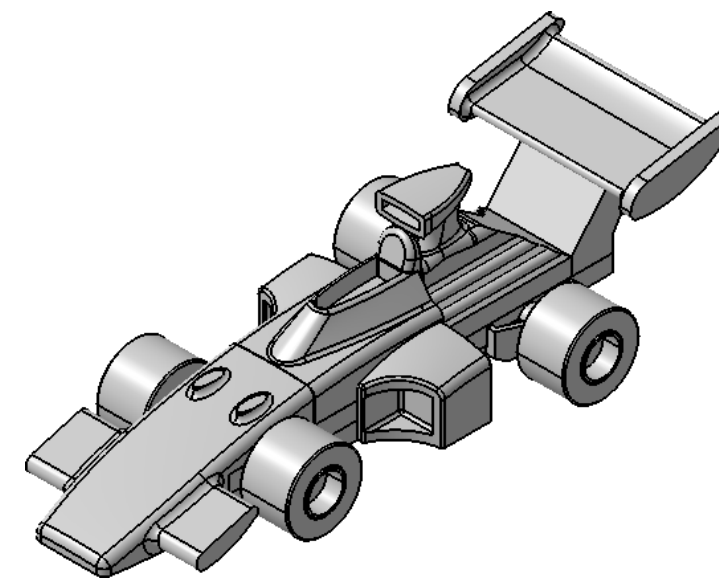
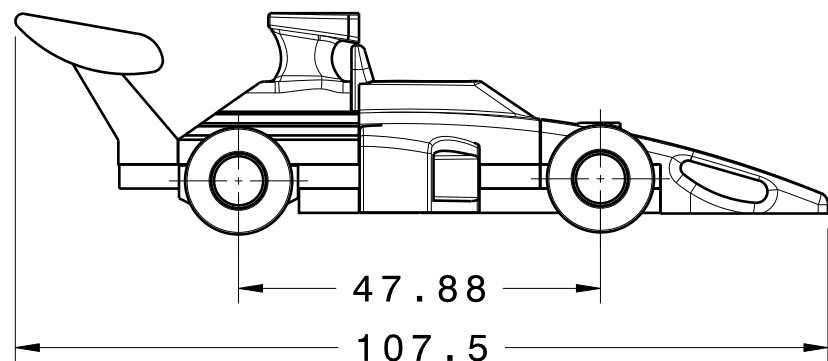


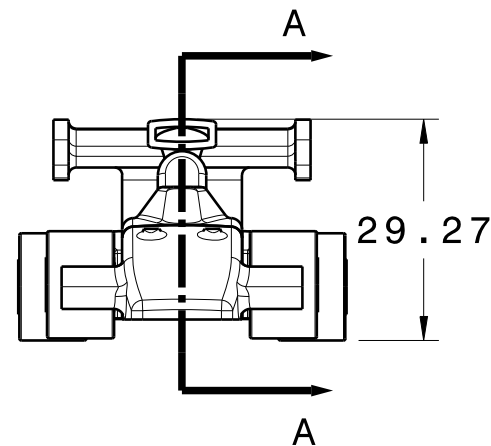
Top view
Scale: 1:1



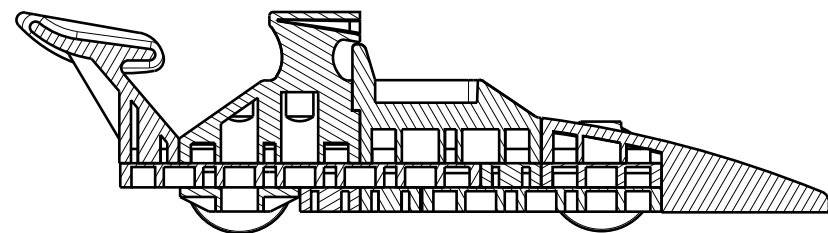
Isometric view
Scale: 1:1



Front view
Scale: 1:1



Right view
Scale: 1:1



Section view A-A
Scale: 1:1

This drawing is our property.
It can't be reproduced
or communicated without
our written agreement.

TEAM 5

DRAWING TITLE

Car Overview

DRAWN BY
A. Steyer

DATE
3/9/2014

CHECKED BY
XXX

DATE
xxx

DESIGNED BY
XXX

DATE
xxx

SIZE
B

DRAWING NUMBER

A-1

REV
X

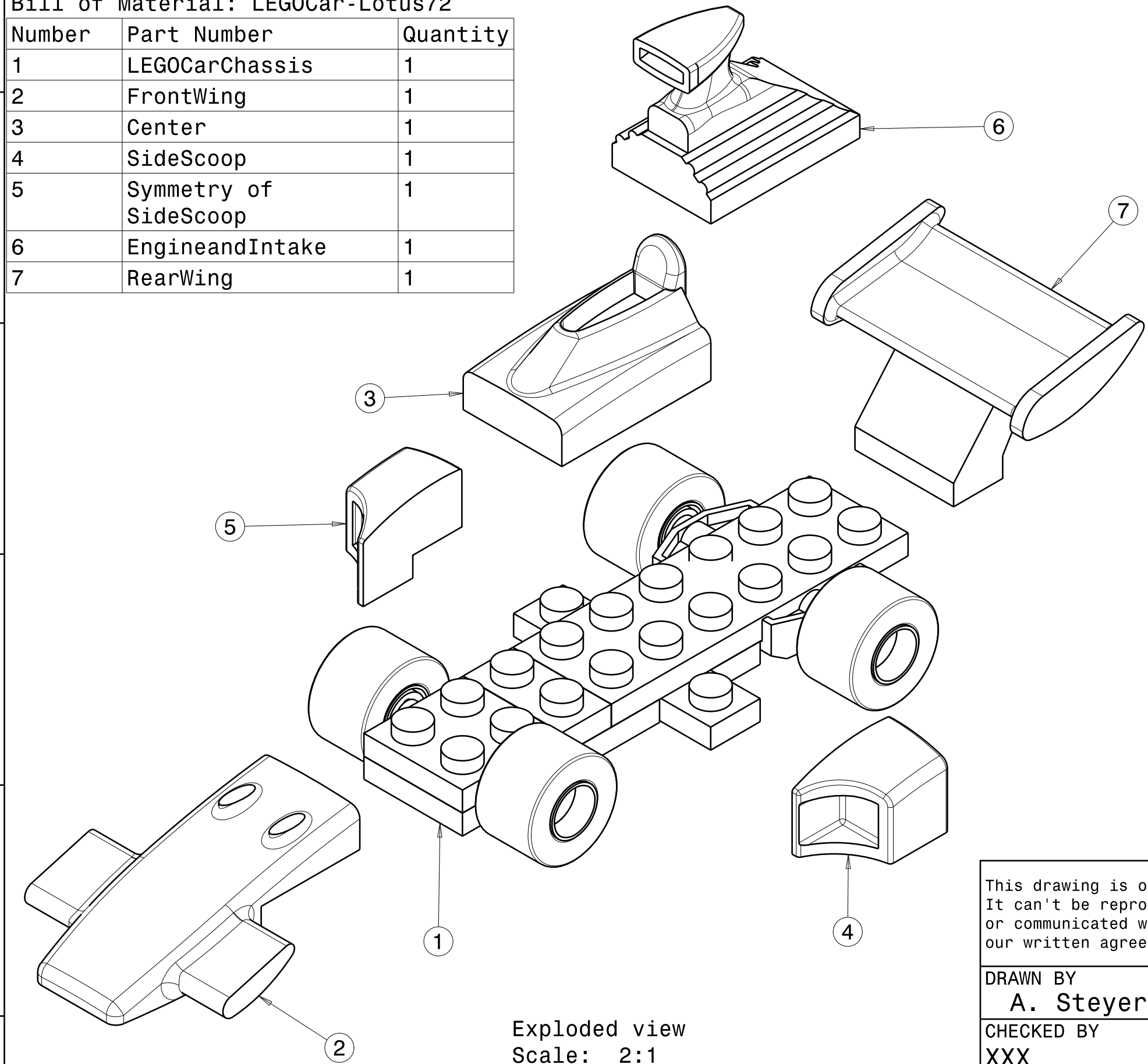
SCALE 1:1

Units: mm

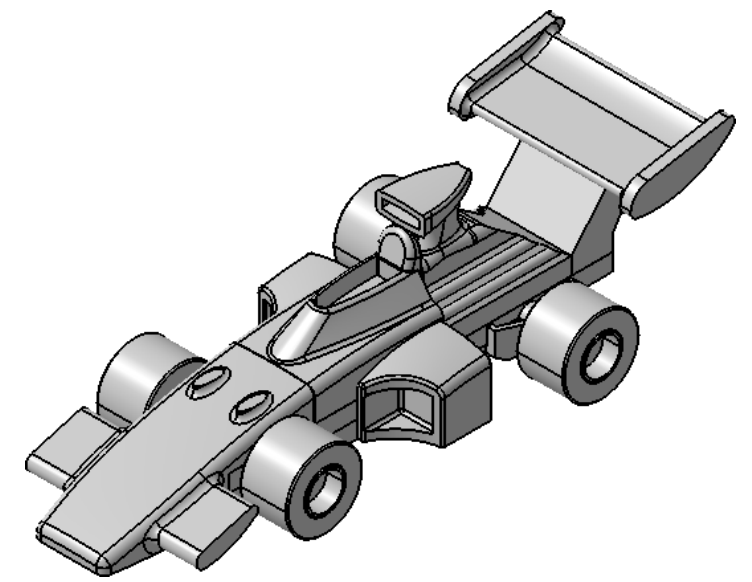
SHEET 1/1

Bill of Material: LEGOCar-Lotus72

Number	Part Number	Quantity
1	LEGOCarChassis	1
2	FrontWing	1
3	Center	1
4	SideScoop	1
5	Symmetry of SideScoop	1
6	EngineandIntake	1
7	RearWing	1



Exploded view
Scale: 2:1

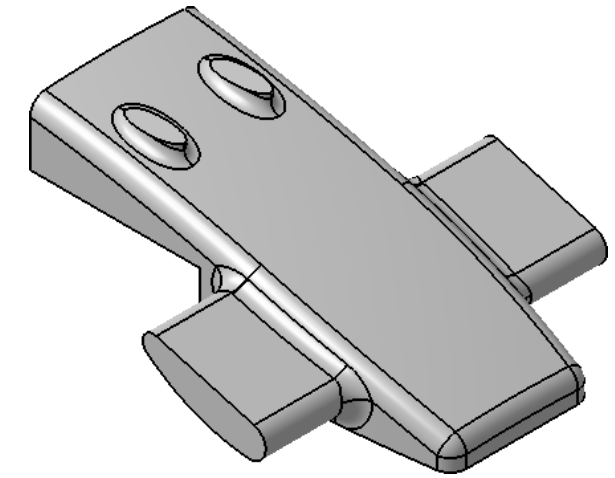
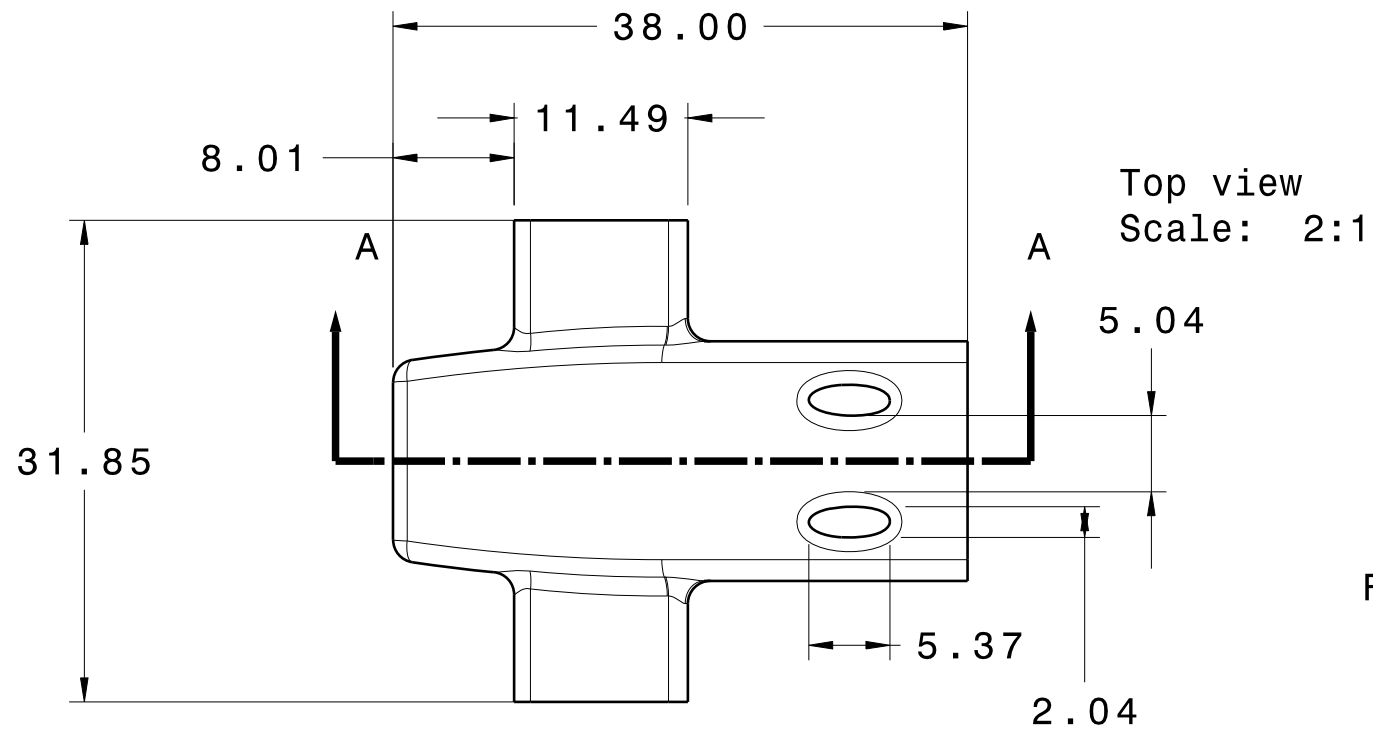


Isometric view
Scale: 1:1

This drawing is our property.
It can't be reproduced
or communicated without
our written agreement.

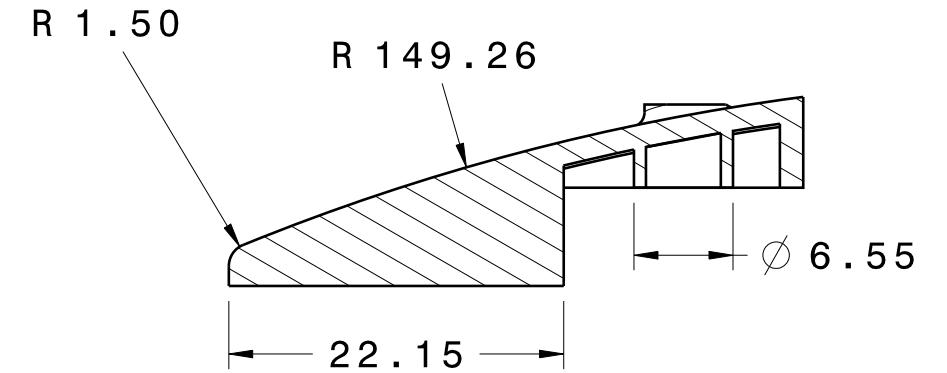
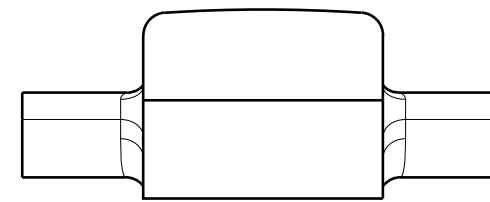
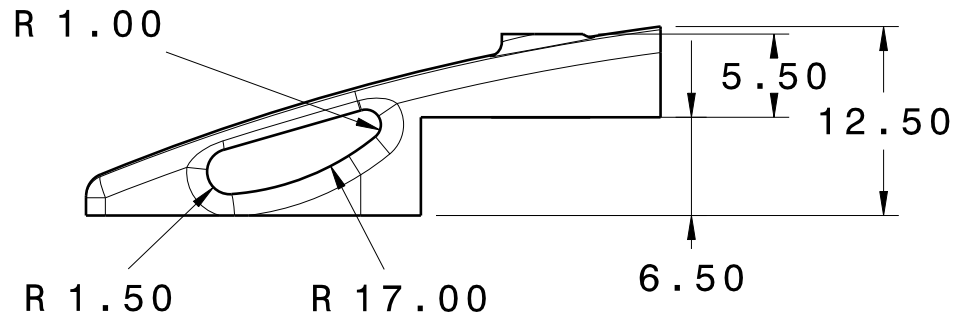
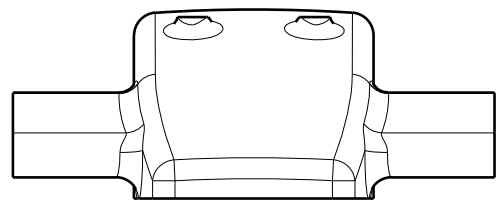
DRAWN BY A. Steyer	DATE 3/9/2014
CHECKED BY XXX	DATE xxx
DESIGNED BY XXX	DATE xxx

TEAM 5			
DRAWING TITLE Assembly			
SIZE B	DRAWING NUMBER A-2		REV X
SCALE 2:1	Units: mm	SHEET 1/1	



For complete geometry, see 3D model.

Isometric view
Scale: 2:1

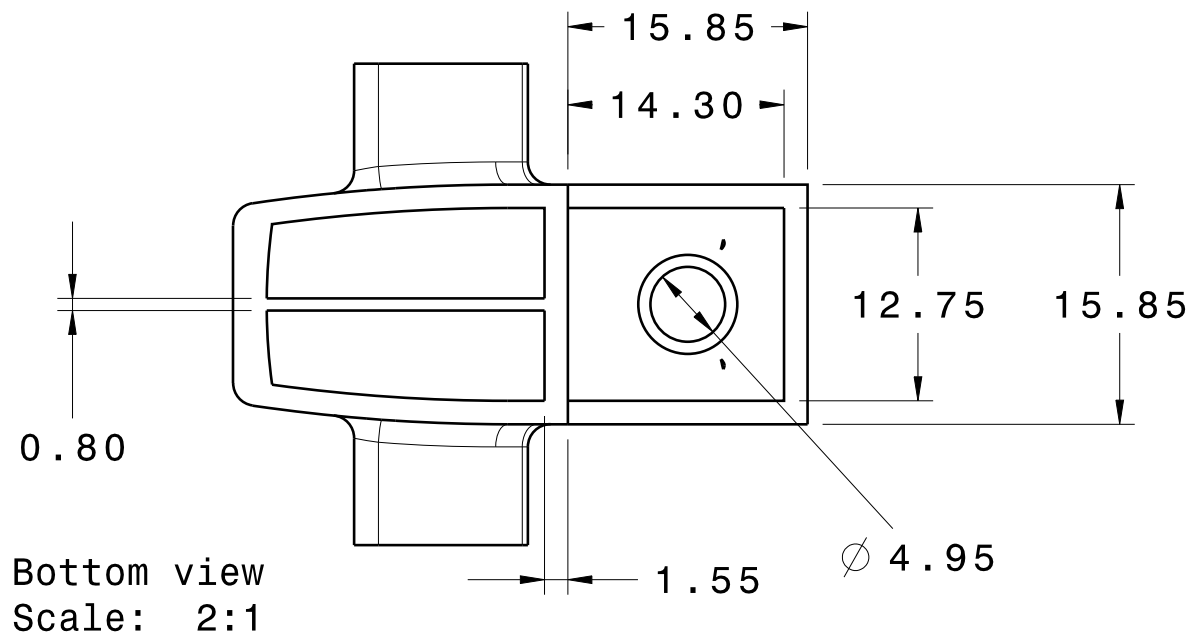


Left view
Scale: 2:1

Front view
Scale: 2:1

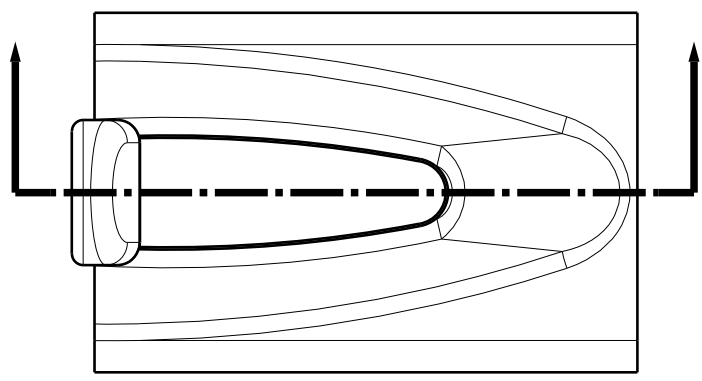
Right view
Scale: 2:1

Section view A-A
Scale: 2:1

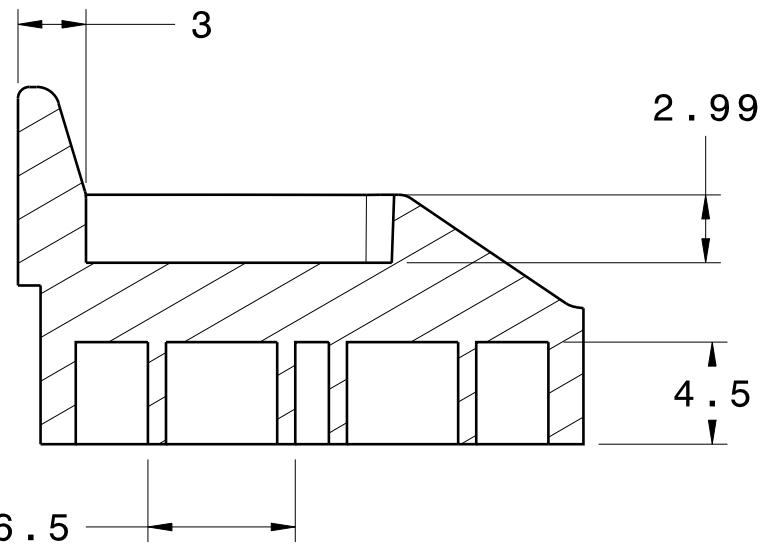


Material: ABS plastic

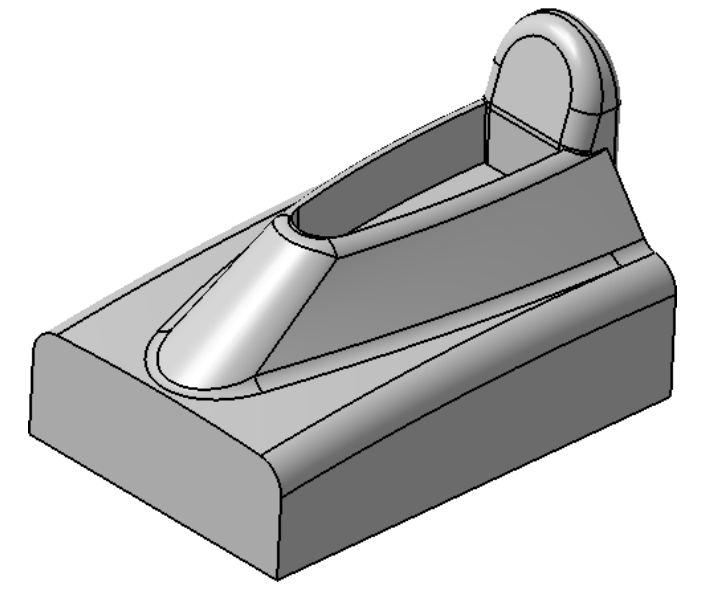
This drawing is our property. It can't be reproduced or communicated without our written agreement.		TEAM 5		
DRAWN BY A. Pollock		DRAWING TITLE FrontWing		
DATE 3/5/2014	CHECKED BY XXX	SIZE B	DRAWING NUMBER P-2	REV X
DESIGNED BY XXX	DATE XXX	SCALE 2:1	Units: mm	SHEET 1/1



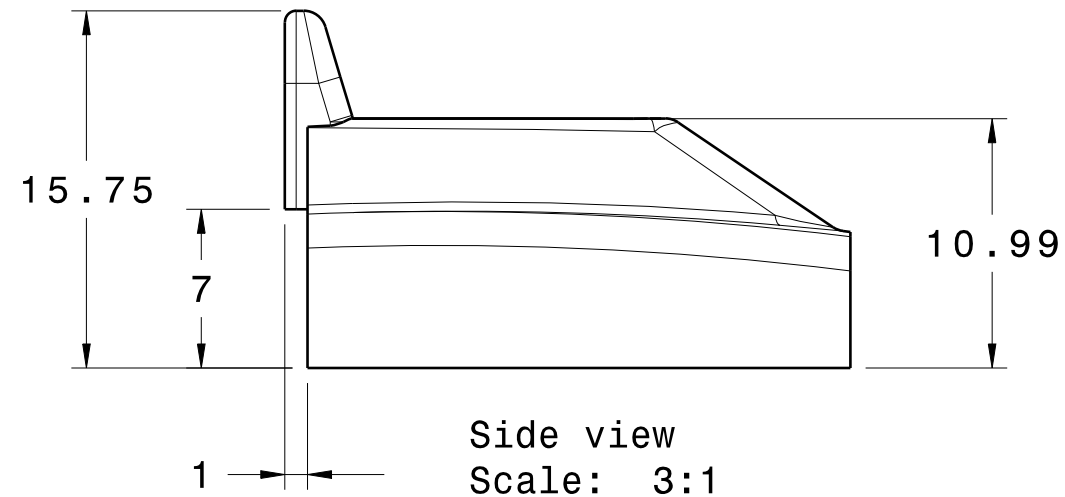
Top view
Scale: 3:1



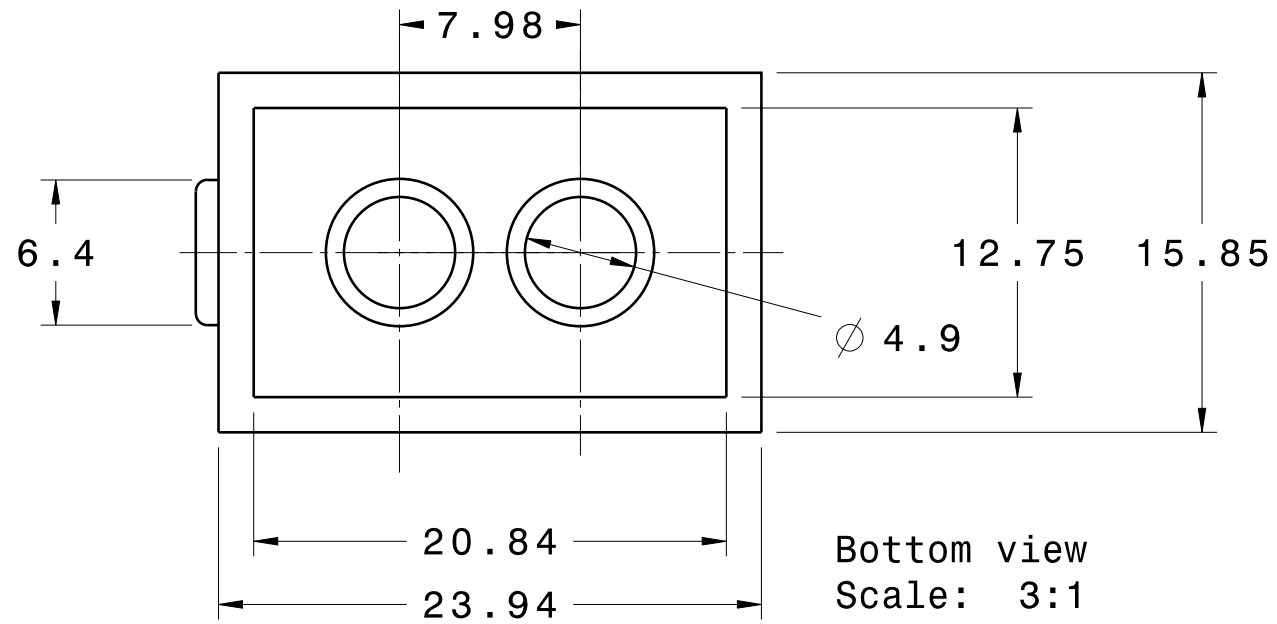
Section view A-A
Scale: 3:1



Isometric view
Scale: 3:1



Side view
Scale: 3:1

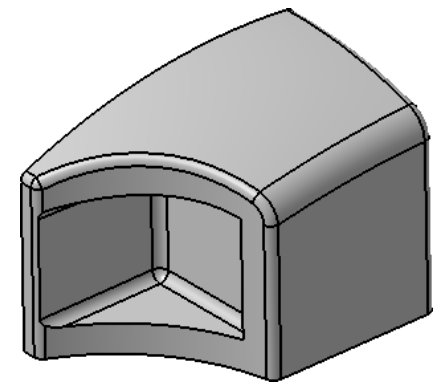


Bottom view
Scale: 3:1

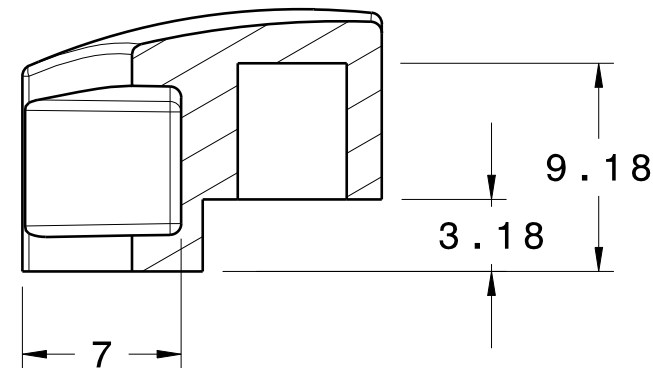
For complete geometry, see 3D model.

Material: ABS plastic

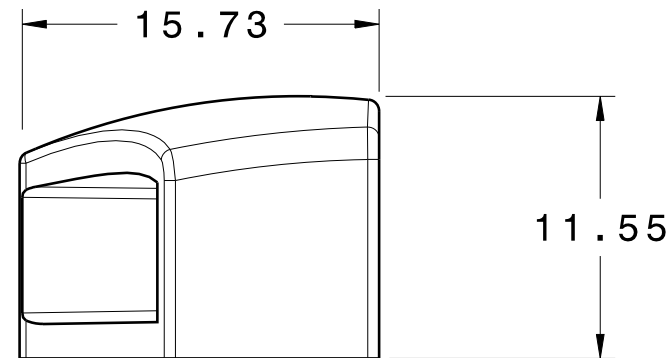
This drawing is our property. It can't be reproduced or communicated without our written agreement.		TEAM 5			
		DRAWING TITLE Center			
DRAWN BY C. McLeod	DATE 3/5/2014	SIZE B		DRAWING NUMBER P-3	
CHECKED BY XXX	DATE xxx	SCALE 3:1		Units: mm	SHEET 1/1
DESIGNED BY XXX	DATE xxx				



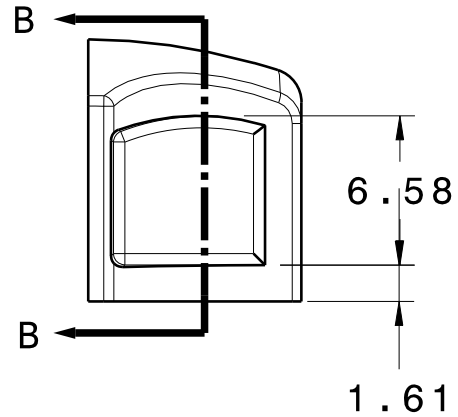
Isometric view
Scale: 3:1



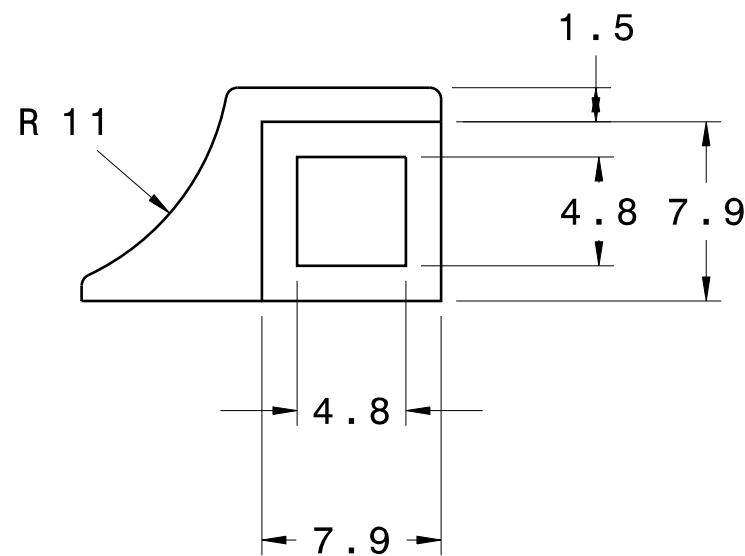
Section view B-B
Scale: 3:1



Front view
Scale: 3:1



Left view
Scale: 3:1

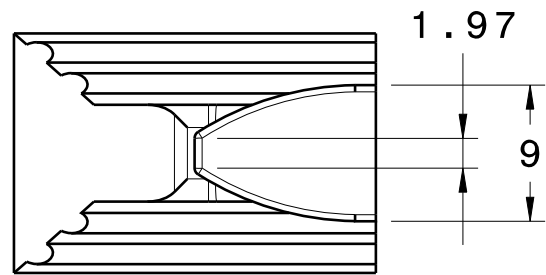


Bottom view
Scale: 3:1

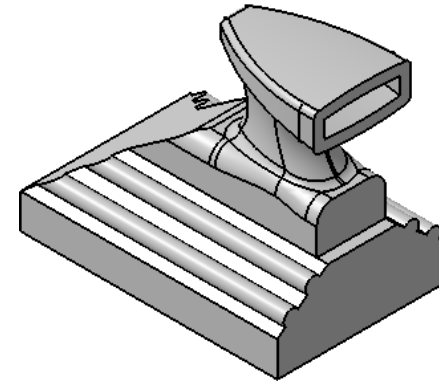
For complete geometry, see 3D model.

Material: ABS plastic

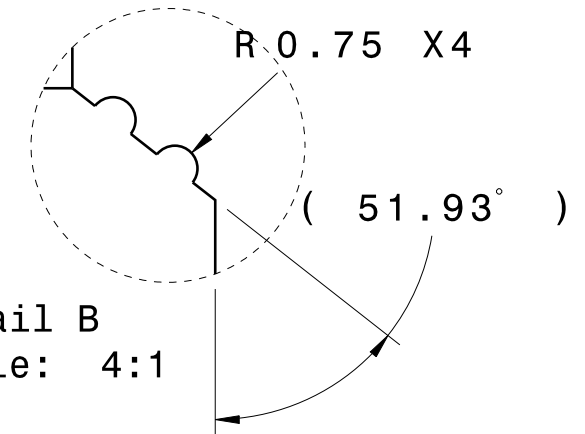
This drawing is our property. It can't be reproduced or communicated without our written agreement.		TEAM 5			
		DRAWING TITLE SideScoop			
DRAWN BY C. McLeod	DATE 3/5/2014	SIZE B	DRAWING NUMBER P-4		
CHECKED BY XXX	DATE XXX	SCALE 3:1	Units: mm		SHEET 1/1
DESIGNED BY XXX	DATE XXX				



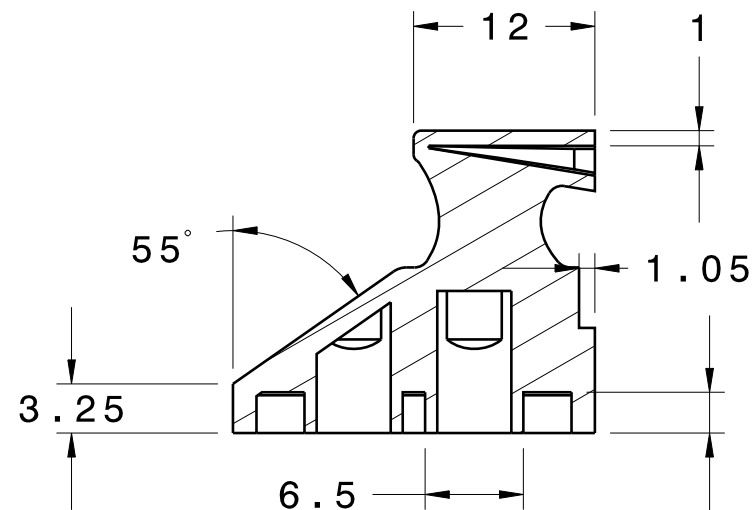
Top view
Scale: 2:1



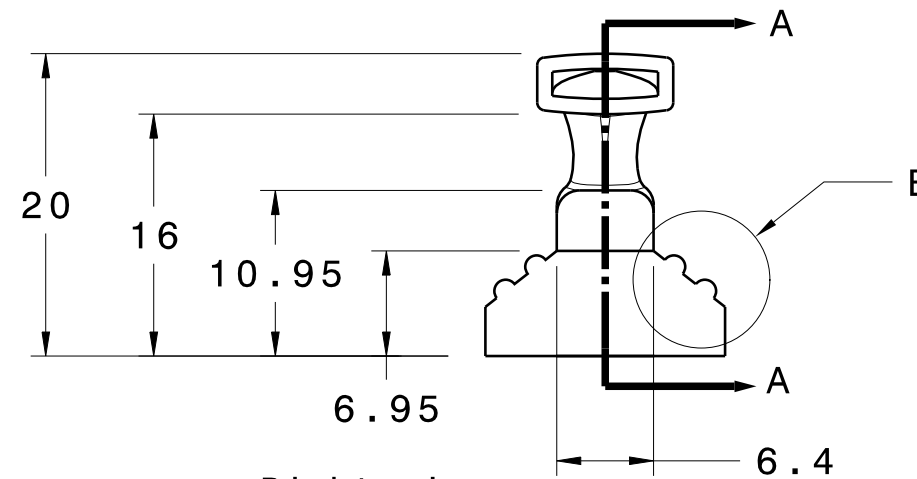
Isometric view
Scale: 2:1



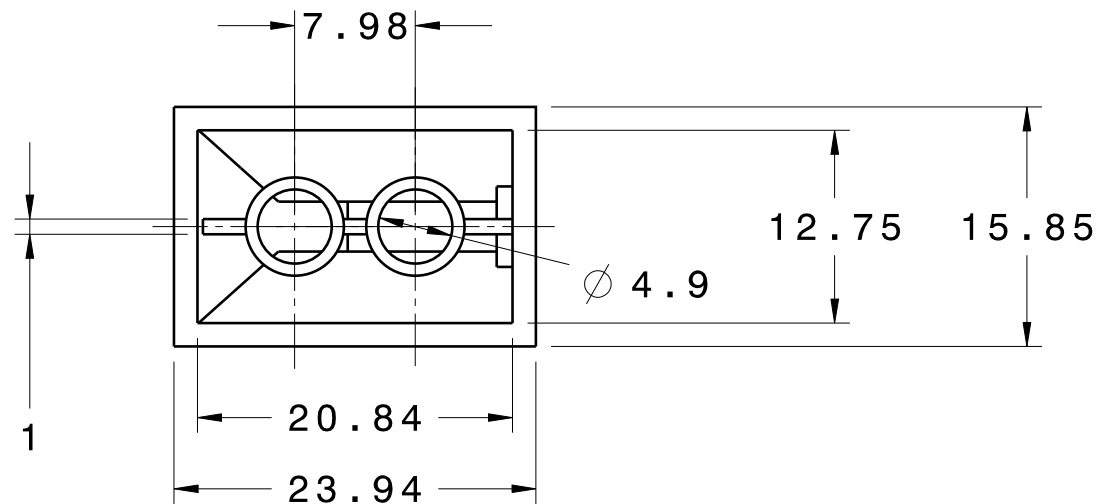
Detail B
Scale: 4:1



Section view A-A
Scale: 2:1



Right view
Scale: 2:1



Bottom view
Scale: 2:1

For complete geometry, see 3D model.

Material: ABS Plastic

This drawing is our property.
It can't be reproduced
or communicated without
our written agreement.

TEAM 5

DRAWN BY
P. Schwartz

DATE
3/7/2014

DRAWING TITLE

EngineandIntake

CHECKED BY
XXX

DATE
xxx

SIZE
B

DRAWING NUMBER

P-6

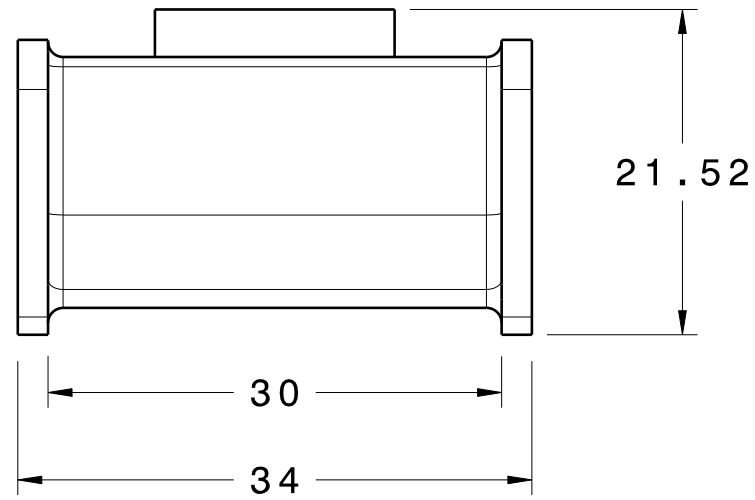
DESIGNED BY
XXX

DATE
xxx

SCALE 2:1

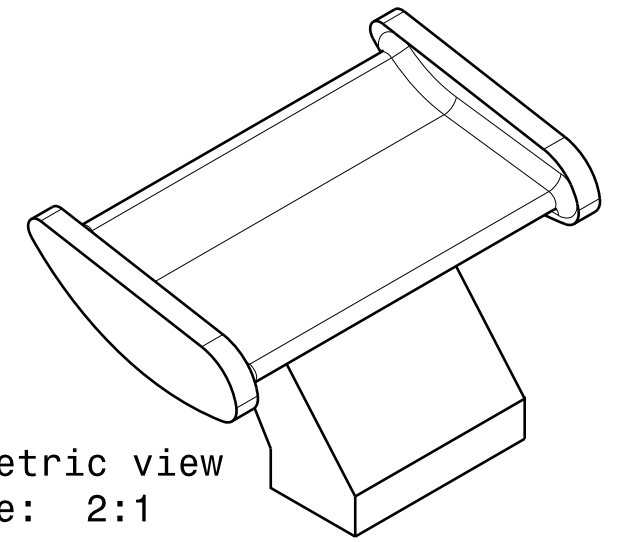
Units: mm

SHEET 1/1

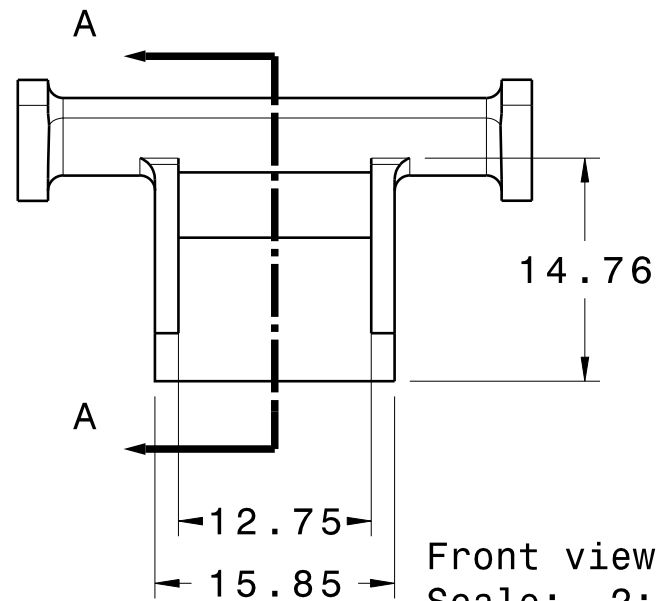


Top view
Scale: 2:1

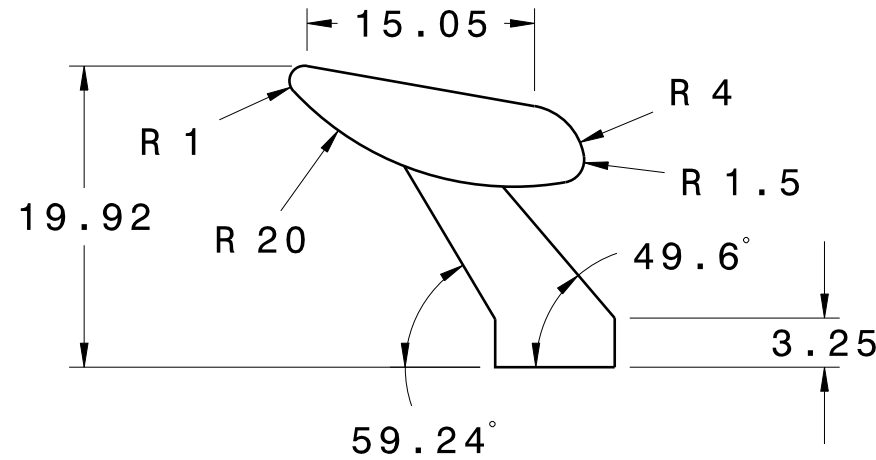
For complete geometry, see 3D model.



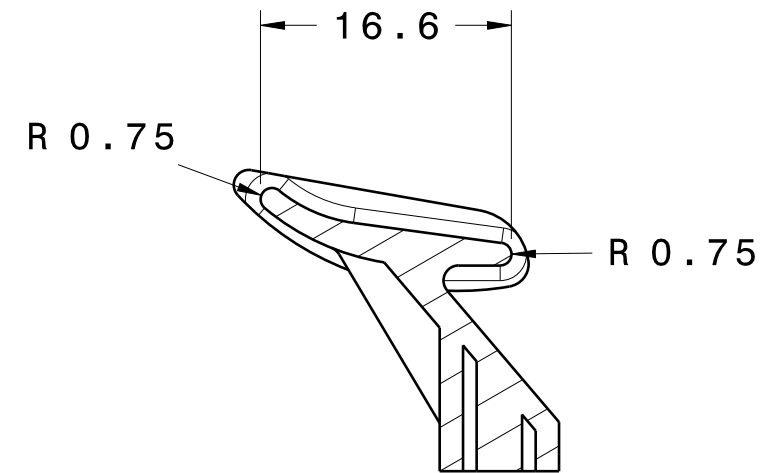
Isometric view
Scale: 2:1



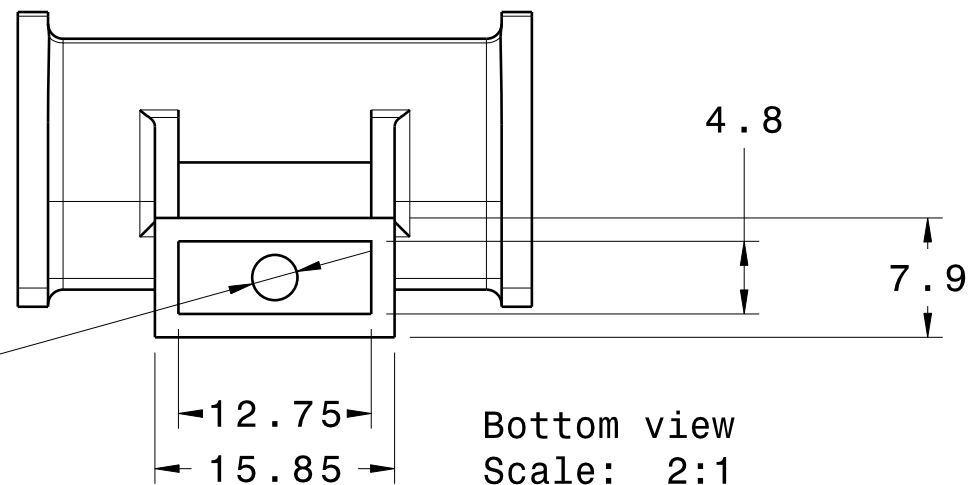
Front view
Scale: 2:1



Right view
Scale: 2:1



Section view A-A
Scale: 2:1



Bottom view
Scale: 2:1

This drawing is our property.
It can't be reproduced
or communicated without
our written agreement.

TEAM 5

DRAWN BY
A. Steyer

DATE
3/5/2014

DRAWING TITLE

Rear Wing

CHECKED BY
XXX

DATE
xxx

SIZE
B

DRAWING NUMBER
P-7

REV
X

DESIGNED BY
XXX

DATE
xxx

SCALE 2:1

Units: mm

SHEET 1/1